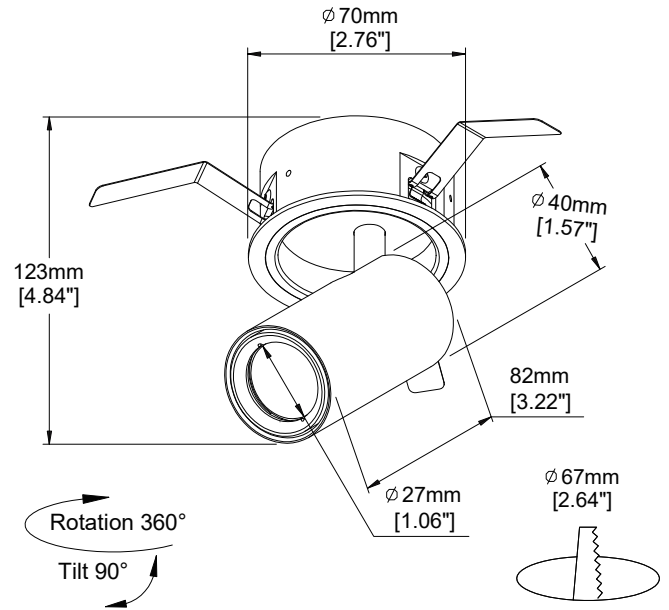


Specification sheet

REV.3

STICK 1 RS

1" Semi-recessed Spotlight



Description

Stick 1 RS is a semi-recessed adjustable spotlight designed to feature maximum functionality and sleek aesthetic in a compact form. With less than 40 mm in aperture and consuming 8 watt, Stick 1 RS delivers up to 600 lumen. This luminaire can rotate 365° and tilt up to 90° making it capable to aim at any directions in the field. The front snoot can be twist-extended and function as an accessory holder. Accessories can be easily inserted even after installation.

Features

LED	Lumileds Luxeon M LED Array
Color temperature	2700K/ 3000K/ 3500K/ 4000K
Optics	Spot 14° / Medium 24° / Wide 39°
Accessories	Honey Comb Louver

Performance

Delivered output	Up to 600 lm(80+CRI) Up to 500 lm(90+CRI)
Power consumption	8 W
Color rendering	90+CRI (80+ CRI optional)
CBCP	Spot 2238cd/ Medium 1151cd/ Wide 1334cd

Ordering Code Information

PRODUCT	LUMEN	COLOR TEMPERATURE	FINISH	BEAM ANGLE	COLOR TEMPERATURE
STICK 1 RS	06	27	WH	S	9
STICK 1 RS	06 600lm	27 (2700K) 30 (3000K) 35 (3500K) 40 (4000K)	WH (White) BK (Black)	S (Spot) / 14 deg. M (Medium) / 24 deg. W (Wide) / 39 deg.	8 (80+ CRI) 9 (90+ CRI)

Electrical and Control

Input voltage	Recommended LED driver
Control	TRIAC/ELV or 0-10V dimming
Feature	Overload & short circuit protection

Construction

Material	Machining grade Aluminum
Finishes	Black/ White
Lens	Interchangeable TIR optics

Rating/ Certification/ Warranty

- Dry and damp Locations
- RoHS compliant
- 5 years/ L70 50,000 hrs warranty

Photometrics

MULTIPLYING FACTORS: (Multiplying Factor is based on 3000K-90+CRI IES file on website)

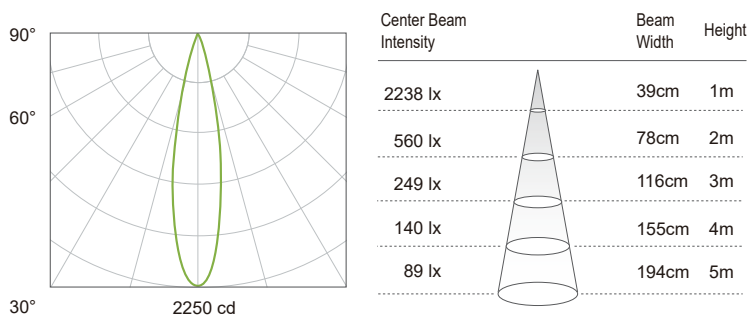
CCT	2700K-80+	3000K-80+	3500K-80+	4000K-80+
Factors	1.12	1.2	1.22	1.27

CCT	2700K-90+	3000K-90+
Factors	0.94	1.0

8W | 90CRI | 3000K

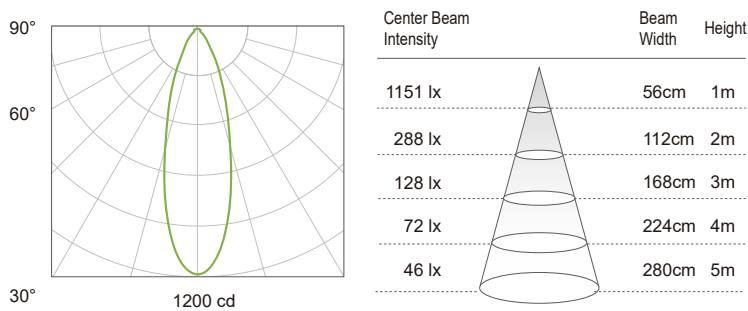
Spot 14°

Delivered Output :516 lm | CBCP : 2238 cd | Beam Angle : 22°



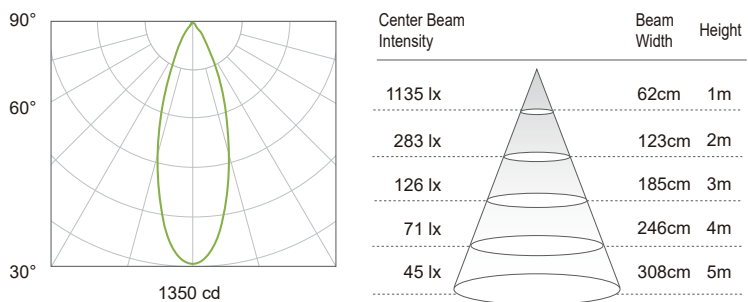
Medium 24°

Delivered Output : 490 lm | CBCP : 1151 cd | Beam Angle : 31°



Wide 39°

Delivered Output : 513 lm | CBCP : 1334 cd | Beam Angle : 34°

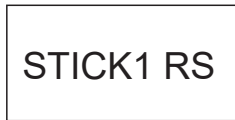


Recommend LED Driver:

<u>Driver No.</u>	<u>Input Voltage</u>	<u>Dimming</u>	<u>Note</u>
DE-1-700-10	120V	TRIAC/ELV	
DE-1-900-10	120V	TRIAC/ELV	Consult Factory
DE-4-700-10	220-240V	TRIAC/ELV	
DE-4-900-10	220-240V	TRIAC/ELV	Consult Factory
DA-3-700-10	120-277V	0-10V DIMMING	
DAE-4-700-10	220-240V	TRIAC/ELV/ 0-10V DIMMING	

Optional Accessory

Honey Comb Louver



STICK 1 RS



HCL
Honey Comb Louver

